



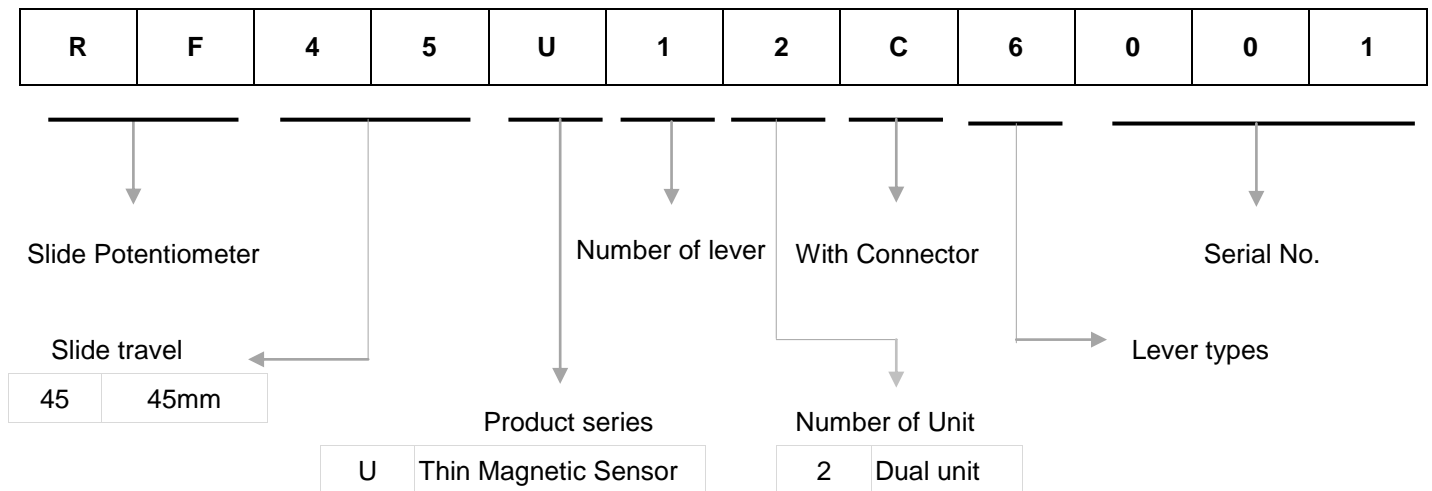
◆ FEATURE

- Non-contact magnetic structure
- Extremely light feeling slide
- Thin and dustproof body design .
- Long life : 5,000,000 cycles

◆ APPLICATIONS

- Fader for mixer, professional audio equipment.

◆ PRODUCTS NUMBERING SYSTEM



◆ COMMON SPECIFICATIONS

Characteristics	Specification
Operating temperature range	-10°C to +70°C
Input voltage	5V±3%
Output type	Voltage(absolute)
Output characteristic	X type (Refer from Position-Voltage plot below)
Output error	3%(MAX)
Stroke resolution	5 points/mm
Operating force	20 gf max
Sliding service life	5,000,000 cycles

LEVER TYPES

Material	Metal lever	
Lever type	6	9
	t=1.2	t=1.2
Dimensions		
Length (L)	15	8.2

DIMENSIONS

Unit : mm

Model	Dimensions
	<p> CONNECTOR V_{cc} Input G Ground F Output-F R Output-R </p>