

PUSH SWITCH

SPPJ2 SERIES



◆ FEATURE

- 2.5mm travel
- 5.5mm in lever height from P.C.B
- Printed wiring available

◆ APPLICATIONS

- Audio system
- AP Internet hardware

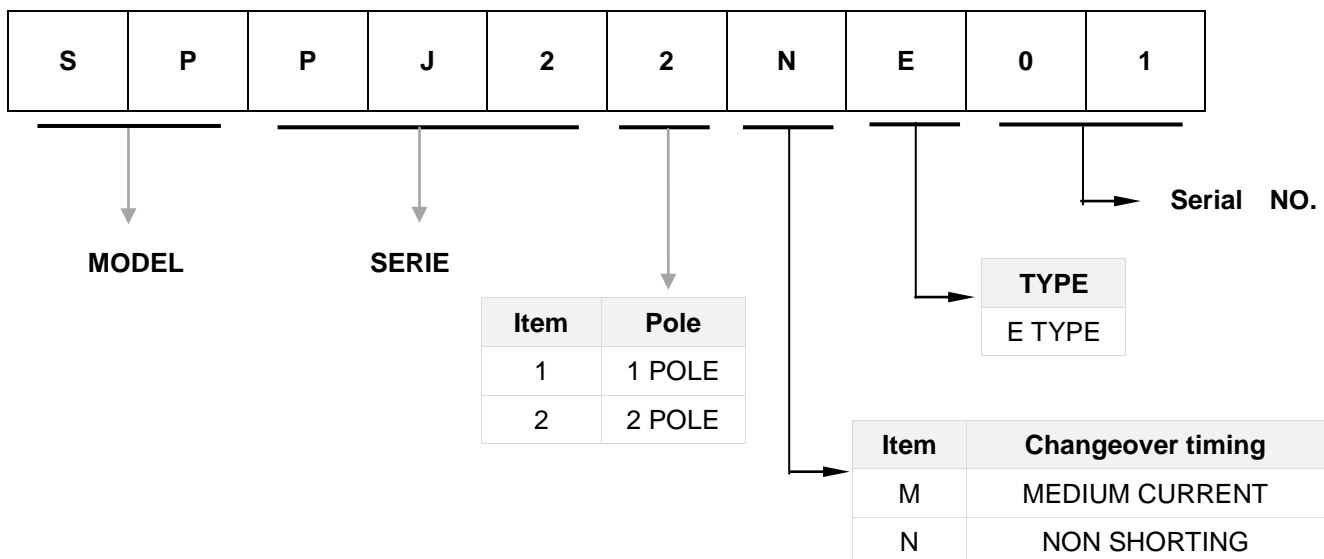
◆ COMMON SPECIFICATIONS

Items	Stand specification	
Ratings	0.2A 30V DC	1A 25V DC (resistive load)
Operating life without load	10,000 cycles	5,000cycles
Initial contact resistance	100mΩ max.	

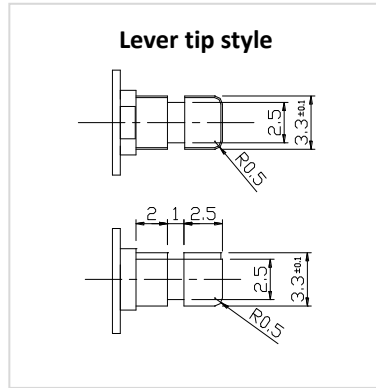
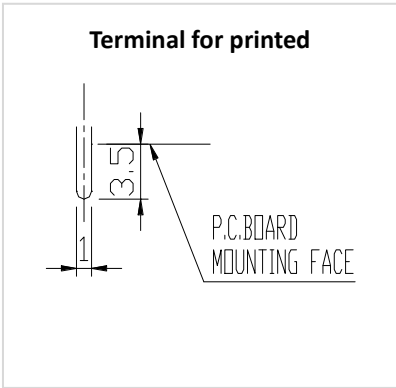
◆ PRODUCTS LINE

Rating	Poles	Position	Changeover timing	Terminal	Operating force	Operating	Travel (mm)	Total travel (mm)	Products No.	Drawing No.
0.2A	2	2	Non-shorting	Printed	400±150gf	Self-lock	2.5	3.5	SPPJ22NE01	1
						Non lock	-	3.5	SPPJ22NE06	2
400±100gf					Self-lock	2.5	3.5	SPPJ22ME07	1	
					Non lock	-	3.5	SPPJ22ME06	2	

◆ PUSH SWITCH PRODUCTS NUMBERING SYSTEM



COMMON SPECIFICATION



DIMENSION

Unit : mm

No	Dimensions	Circuit diagram Viewed from the direction A P.C. board mounting hole dimensions (viewed from the direction A)
1		
2		