

PUSH SWITCH

SFPC SERIES



◆ FEATURE

- 1.3mm and 1.5mm travel
- support 2 poles and 4 poles

◆ APPLICATIONS

- Applicable to all types of audio products, TV, VCR related devices and other home equipment.

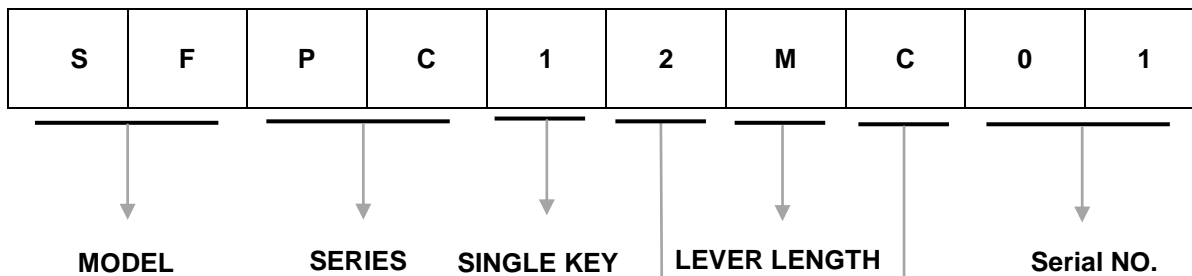
◆ COMMON SPECIFICATIONS

Items	Stand specification
Ratings	0.2A 20V DC
Operating life without load	10,000 cycles
Initial contact resistance	30mΩ max.
After lifetime contact resistance	50mΩ max.

◆ PRODUCTS LINE

Rating	Poles	Position	Changeover timing	Terminal	Operating force	Operating	Travel (mm)	Total travel (mm)	Products No.	Drawing No.
0.2A	2	2	Non-shorting	Snap-in	200±100gf	Self-lock	1.3	2	SFPC12MC01	1
	4			Straight			1.5	2.5	SFPC12MA02	2
									SFPC14MA01	3

◆ PUSH SWITCH PRODUCTS NUMBERING SYSTEM



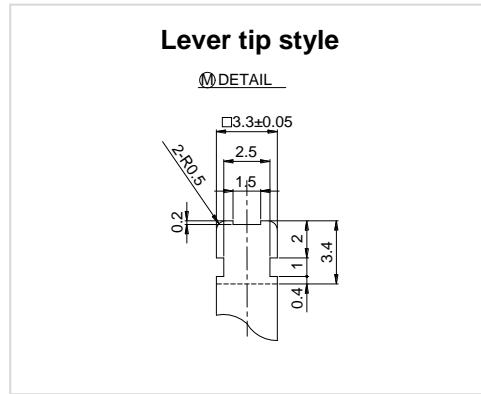
Item	Pole
2	2 POLE
4	4 POLE

Item	Terminal Style
A	Straight
C	Snap-in

PUSH SWITCH

SFPC SERIES

◆ COMMON SPECIFICATION



DIMENSION

Unit : mm

No	Dimensions	Circuit diagram Viewed from the direction A	
		P.C. board mounting hole dimensions (viewed from the direction A)	
1			
2			
3			