

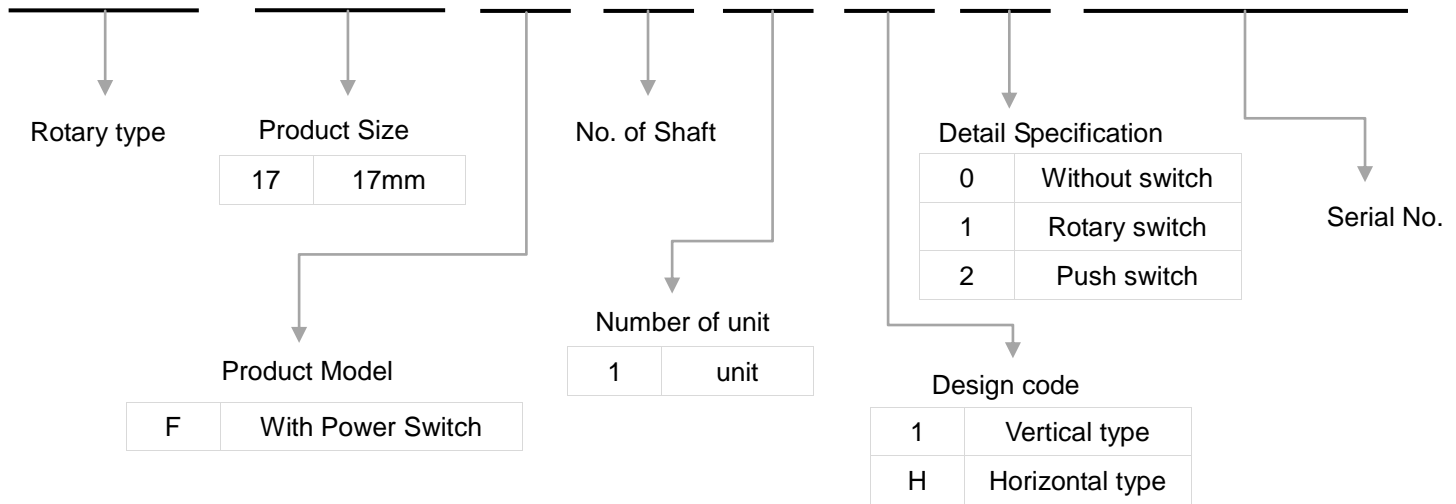
### ◆ FEATURE

- Dimmer, TV and audio products and general purpose as well.

### ◆ APPLICATIONS

- Dimmer, TV set, radio, stereo equipment etc.

R	K	1	7	F	1	1	1	1	0	0	1
---	---	---	---	---	---	---	---	---	---	---	---



### ◆ COMMON SPECIFICATIONS

Characteristics	Specification
Total rotational angle	300±5°
Rotational torque	20~250gf.cm
Detent torque	16 detent 300gf.cm Max
Rotation stopper strength	3.5Kgf.cm
Push pull strength	8Kgf Max
Detent angle	16 detent 18±2° Both ends±3°
Total resistance (KΩ)	5.10.20,50,100,250.500
Total resistance tolerance	±20%
Rated power	B taper:0.1W Other than B taper 0.05W
Resistance taper	A,B,C,D,E,K,W,RD,
Maximum operating Voltage	350V DC
For general Residual resistance use	10Ω Max
Slider noise	47 mV Max. According to JIS-6443
Insulation resistance	100MΩ Min. 500V DC
Withstand voltage	1 minute 500V AC
Rotation life	10,000 cycles
Switch	Rotary type (SPST) Push type (SPDT)
Switch stroke	50° Max 3±0.5mm
Switch operating force	800gf-cm Max 2Kgf Max
Switch rating	4A 250V A.C 10A 250V A.C
Switch Insulation resistance	500MΩ Min. 500V DC
Switch Withstand voltage	1 minute 1000V AC
Switch operating life	40,000 cycles

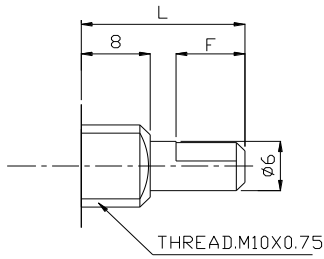
# ROTARY POTENTIOMETERS

## 17mm Size Snap-in Insulated Shaft Potentiometers

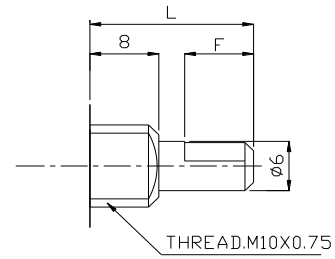
### STANDARD PLASTIC SHAFT DIMENSIONS

Unit : mm.

Rotary type




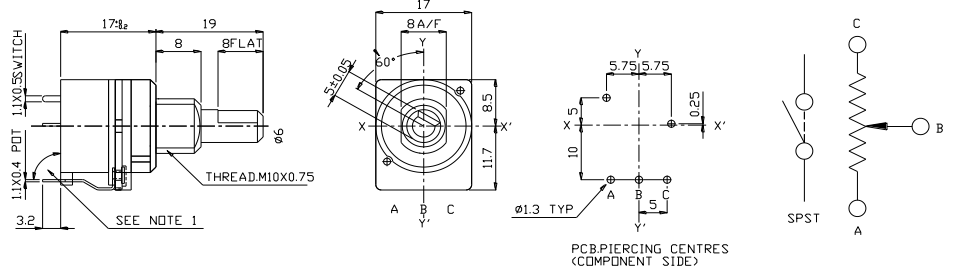

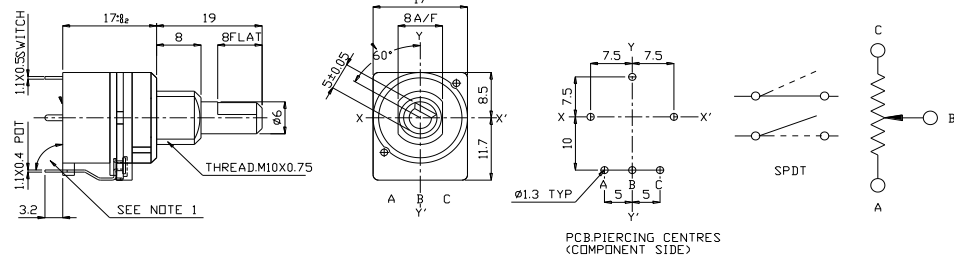

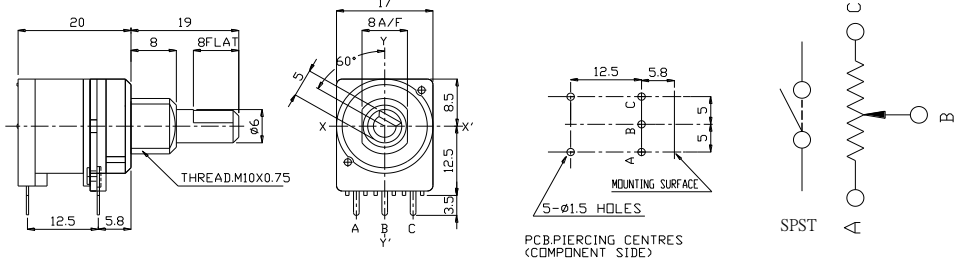
Push type



L	17	19	L	19	21
F	8	8	F	8	8

### DIMENSIONS

Unit : mm

Model	Dimensions
Single shaft, single unit With rotary switch AC250V 4A <b>RK17F1111</b> 	 <p>PCB PIERCING CENTRES (COMPONENT SIDE)</p>
Single shaft, single unit With push switch AC 250V 10A <b>RK17F1112</b> 	 <p>PCB PIERCING CENTRES (COMPONENT SIDE)</p>
Single shaft, single unit With rotary switch AC250V 4A <b>RK17F11H1</b> 	 <p>PCB PIERCING CENTRES (COMPONENT SIDE)</p>