

## 12mm Size Snap-in Insulated Shaft Potentiometers



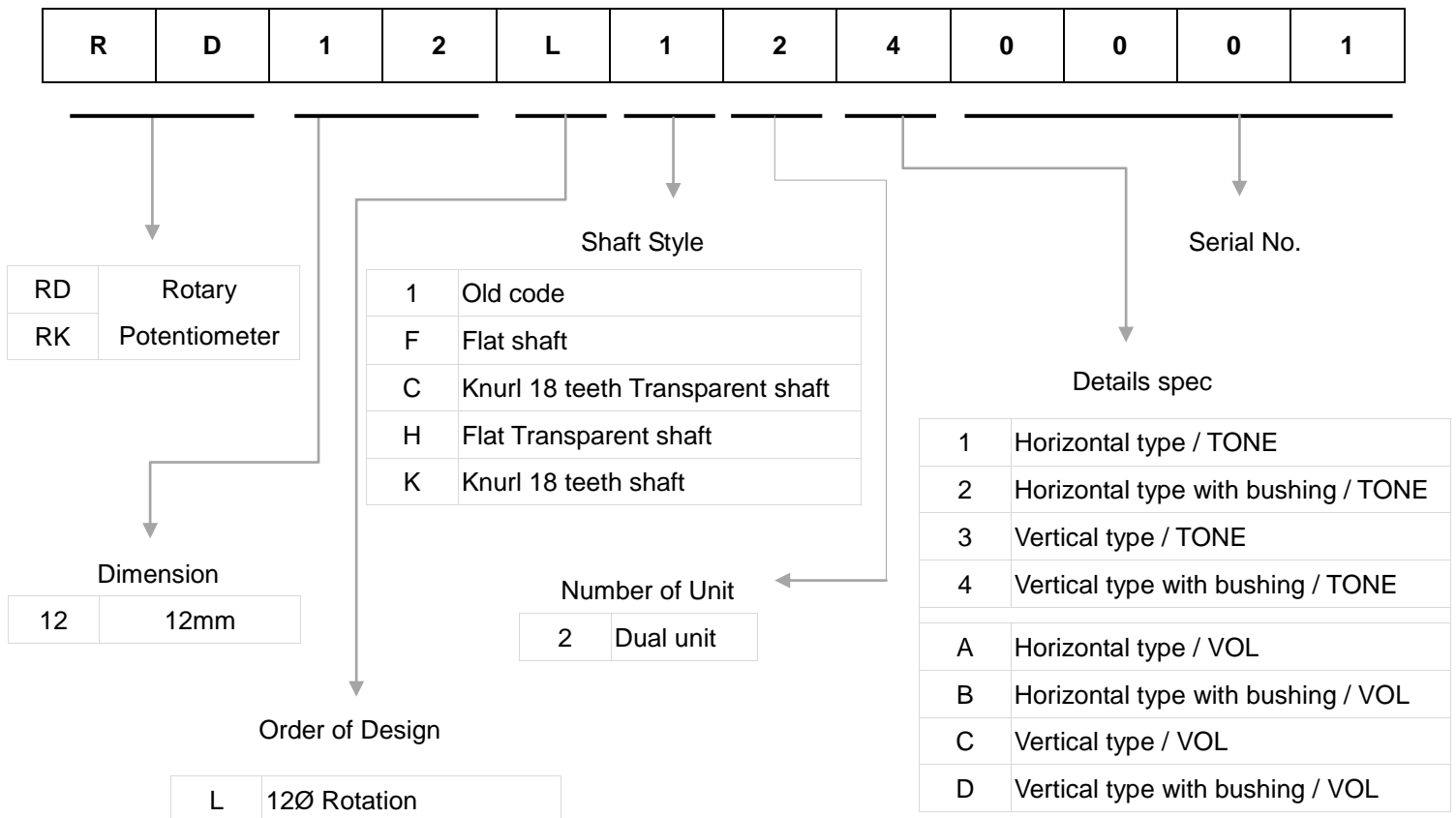
### ◆ FEATURE

- Insert-molding with resin applied around the resistor assures high flux resistance.
- Since a variety of types are available, they can be used for a wide range of products including audio equipment.
- Units can be provided with bushing, tap and detent.

### ◆ APPLICATIONS

- Various potentiometers for radios, radios-cassette recorders, amplifier-mixers, etc.

### ◆ PRODUCTS NUMBERING SYSTEM



## 12mm Size Snap-in Insulated Shaft Potentiometers

### ◆ COMMON SPECIFICATIONS

Application	12mm size	
	Dual-unit	
Total resistance (KΩ)	5、10、20、50、100、250、500	
Total resistance Tolerance	±20%	
Resistance taper	A、B、C、D、E、K、M、N、W	
Power rating	0.05W	
Max operating Voltage	50V A.C For A.C only	
Rotational angle	300±5°	
rating torque	30~200gf-cm	
Bushing nut tightening strength	10Kgf-cm min.	
Rotational Life	15,000 cycles	

### ◆ PRODUCTS LINE

Size (mm)	Type	Type	Model	Bushing	Center Detent	Center Tap	Mounting Height (mm)	Applications	For DC Use
12	Dual unit	Horizontal	RD12L121	—	✓	—	10、12.5	Tone control	—
			RD12L122	✓	✓	—			
		Vertical	RD12L123	—	✓	—	—		
			RD12L124	✓	✓	—			
		Horizontal	RD12L12A	—	✓	—	10、12.5	Volume control	
			RD12L12B	✓	✓	—			
		Vertical	RD12L12C	—	✓	—	—		
			RD12L12D	✓	✓	—			

# ROTARY POTENTIOMETERS

## 12mm Size Snap-in Insulated Shaft Potentiometers

### ◆ STANDARD DIMENSION OF SHAFT AND BUSHING

Unit : mm

#### Flat Type

Without Bushing						With Bushing							
Horizontal		Vertical		Vertical (With collar)		Horizontal		Vertical					
L1	L2	L1	L2	L1	L2	L1	L2	L1	L2	L1	L2		
15	4.5	15	4.5										
20	7	20	7	20	7	12.5	7	12.5	7				
22.5	7	22.5	7	22.5	7	15	7	15	7				
25	12	25	12	25	12	17.5	12	17.5	12				
27.5	12	27.5	12	27.5	12	20	12	20	12				
30	12	30	12	30	12	22.5	12	22.5	12				
						25	12	25	12				
						30	12	30	12				

#### Knurled Type


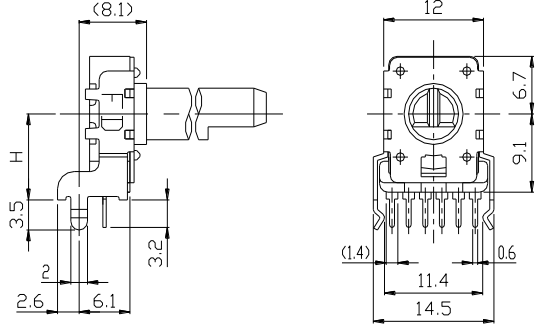
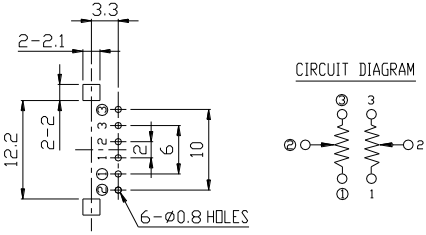

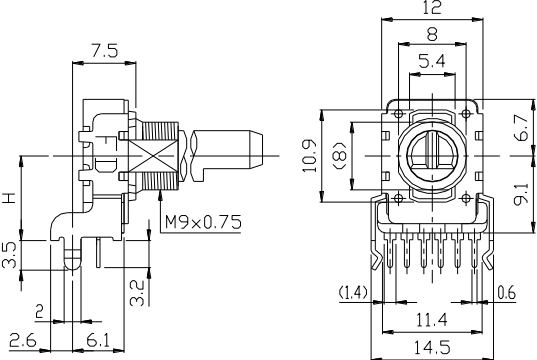
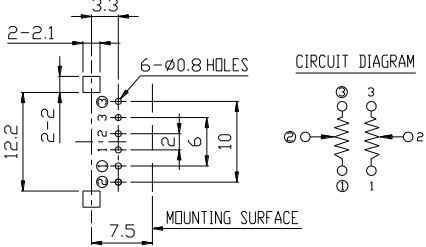

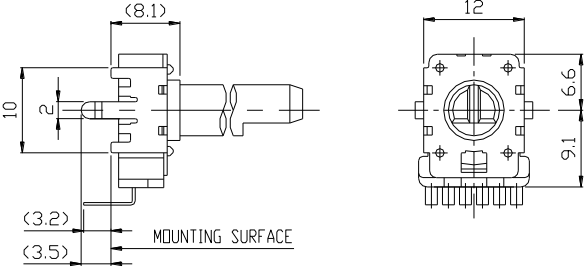
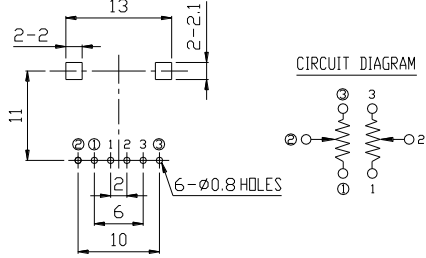

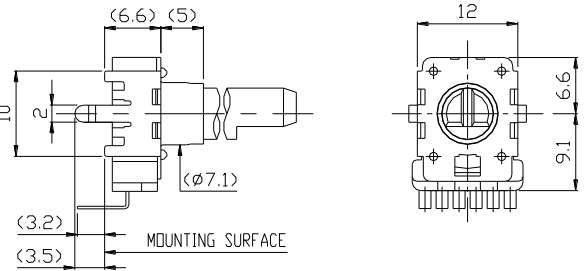
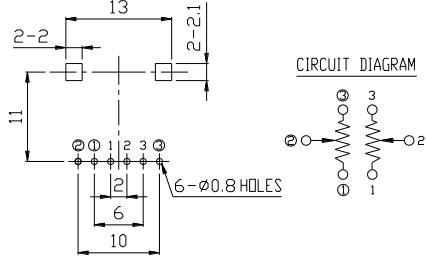

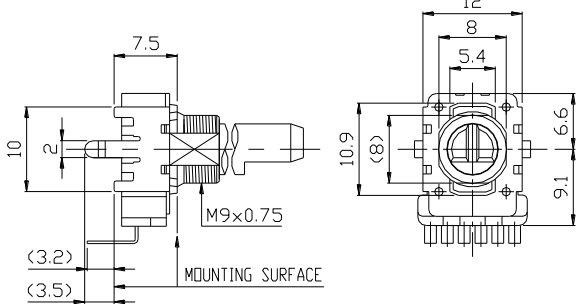
Without Bushing						With Bushing							
Horizontal		Vertical		Vertical		Horizontal		Vertical					
L1	L2	L1	L2	L1	L2	L1	L2	L1	L2	L1	L2		
20	7	20	7	20	7	12.5	7	12.5	7				
22.5	7	22.5	7	22.5	7	15	7	15	7				
25	7	25	7	25	7	17.5	7	17.5	7				
27.5	12	27.5	12	27.5	12	20	12	20	12				
30	12	30	12	30	12	22.5	12	22.5	12				
						25	12	25	12				
						30	12	30	12				

# ROTARY POTENTIOMETERS

## 12mm Size Snap-in Insulated Shaft Potentiometers

### DIMENSIONS

Unit : mm

Model	Dimensions	Mounting hole details
<p>RD12L121 RD12L12A</p> 	 <p>※Available mounting height(H) : 10、12.5mm</p>	
<p>RD12L122 RD12L12B</p> 	 <p>※Available mounting height(H) : 10、12.5mm</p>	
<p>RD12L123 RD12L12C</p> 		
<p>RD12L123Z RD12L12CZ</p> 		
<p>RD12L124 RD12L12D</p> 	 <p>※Available mounting height(H) : 10、12.5mm</p>	