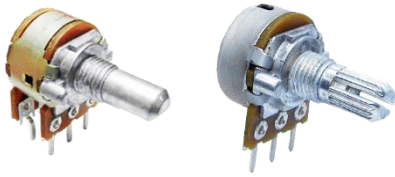


ROTARY POTENTIOMETERS

16mm Size Metal Shaft Potentiometers



◆ FEATURE

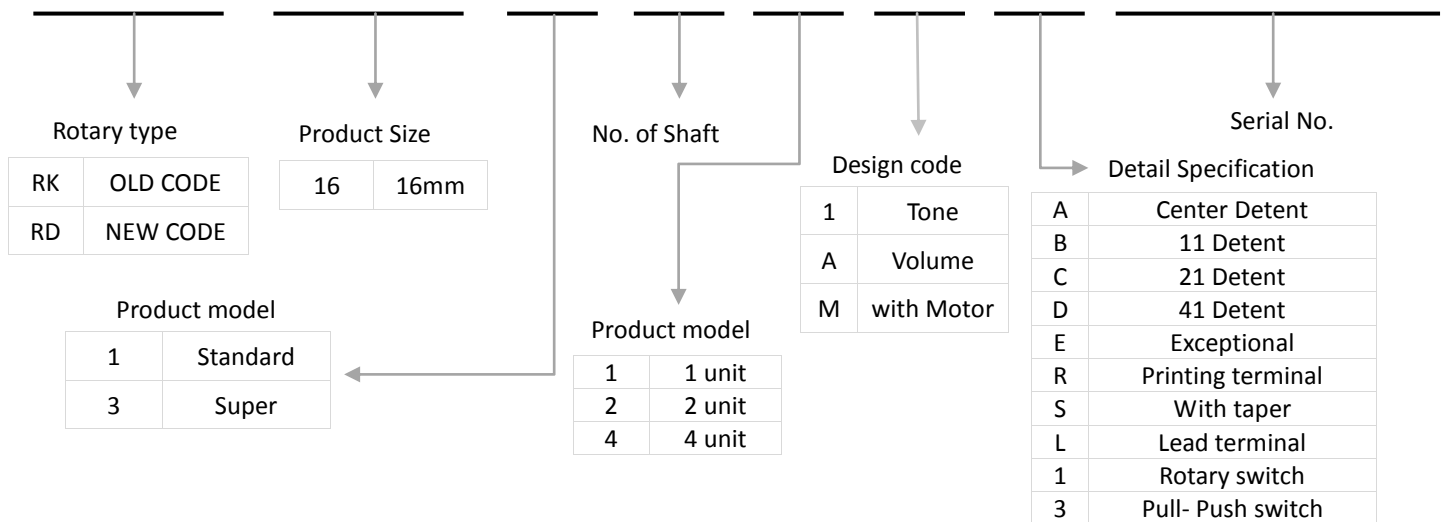
- Our main series, ideal for various TV and audio products and general purpose as well.

◆ APPLICATIONS

- TV set, radio, stereo equipment etc.

◆ PRODUCTS NUMBERING SYSTEM

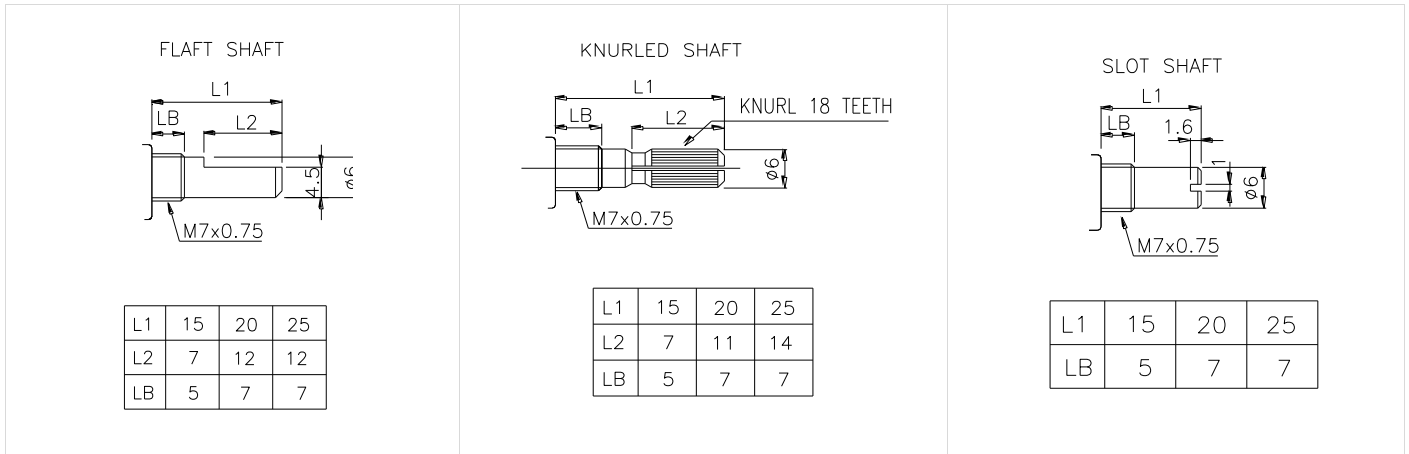
R	D	1	6	3	1	2	1	R	0	0	1
---	---	---	---	---	---	---	---	---	---	---	---



◆ COMMON SPECIFICATIONS

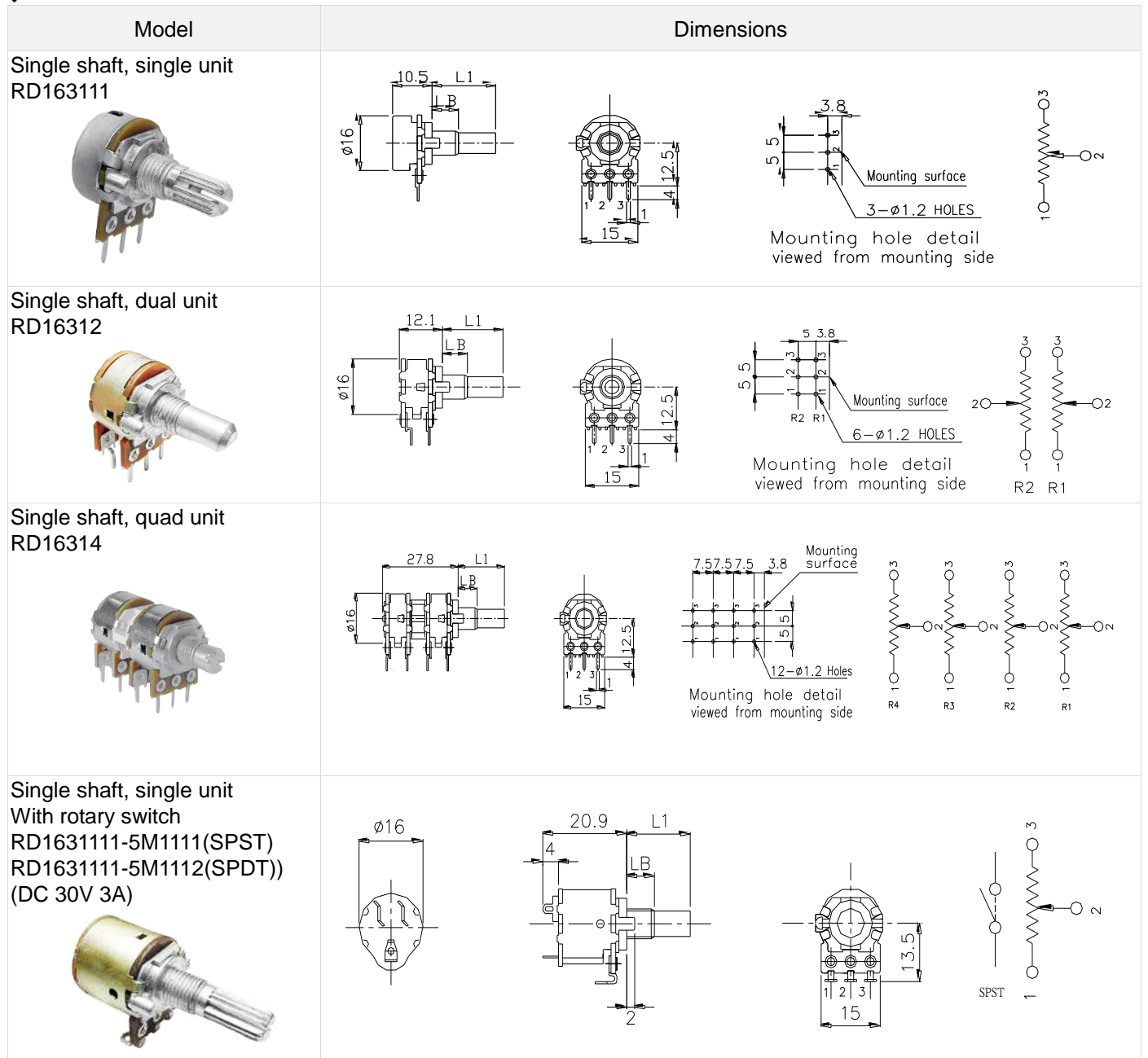
Characteristics		Specification	
Total rotational angle		300±5°	
Rotational torque		30~250gf.cm	
Detent torque	center detent	Rotational torque+ (20~200) gf.cm	
	11 、 21 、 41detent	100~500gf.cm	
Rotation stopper strength		9Kgf.cm	
Push pull strength		10Kgf Max	
Detent angle	center detent	150±3°	
	11 detent	30±2°	Both ends±3°
	21 detent	15±2°	
	41 detent	7.5±2°	
Total resistance (KΩ)		5, 10, 20, 50, 100, 250, 500	
Total resistance tolerance		±20%	
Rated power		B taper:0.1W Other than B taper 0.05W	
Resistance taper		A, B, C, D, E, K, W, RD, M, N	
Maximum operating Voltage		150V AC	20V DC
For general Residual resistance use		10Ω Max	
Maximum attenuation level for volume control		5 KΩ ≤ R < 10 KΩ	70dB Min.
		10 KΩ ≤ R < 50 KΩ	80dB Min.
		50 KΩ ≤ R < 100 KΩ	90dB Min.
		100 KΩ ≤ R	100dB Min.
Insertion loss for volume control		0.1dB Max	
Gang error	For volume	-40 to 0dB±3dB Max	-60 to 0dB±3dB Max
	For tone	±2dB Max, at 50% rotation angle	
Slider noise		47 mV Max. According to JIS-6443	
Insulation resistance		100MΩ Min. 500V DC	
Withstand voltage		1 minute 500V AC	
Rotation life		15,000 cycles	

◆ DIMENSIONS OF SHAFT



◆ DIMENSIONS

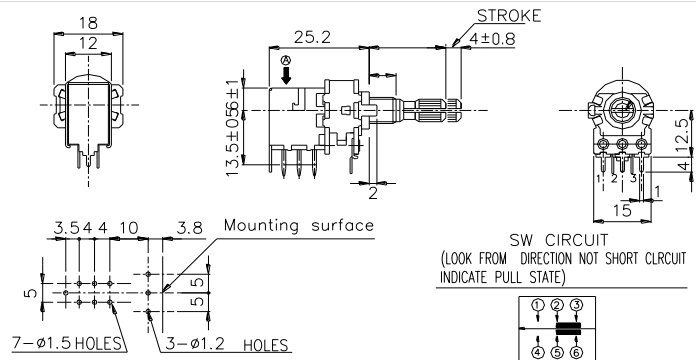
Unit: mm



ROTARY POTENTIOMETERS

16mm Size Metal Shaft Potentiometers

Single shaft, single unit
With pull-push switch
RD1611113 (DC 30V 0.3A)



ROTARY POTENTIOMETERS

16mm Size Rotary Motor-Driven Potentiometers



◆ FEATURE


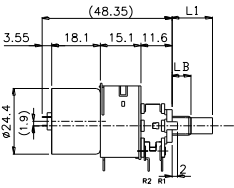
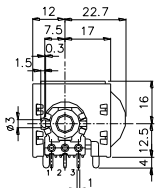
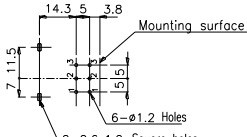
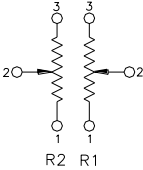
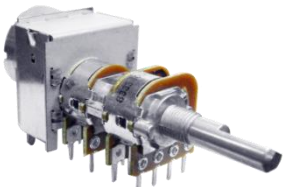
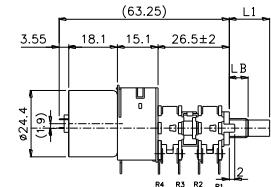
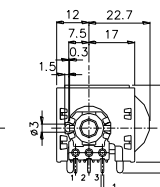
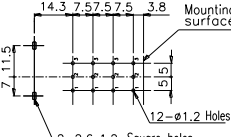
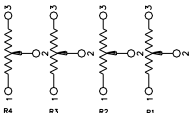
- Potentiometers for various audio products can be remote controlled.
- Permits motor driving and manual operation.

◆ APPLICATIONS

- For volume control in amplifier, CD player, radio-cassette act.

◆ DIMENSIONS

Unit: mm

Model	Dimensions			
<p>Single shaft, dual unit RD16312MC</p> 			 <p>Mounting hole detail Viewed from mounting side</p>	
<p>Single shaft, quad unit RD16314MC</p> 			 <p>Mounting hole detail Viewed from mounting side</p>	

Motor current: At 4.5V DC applied to motor. Normal operating 100mA max. sipping operating at both ends 150mA max