



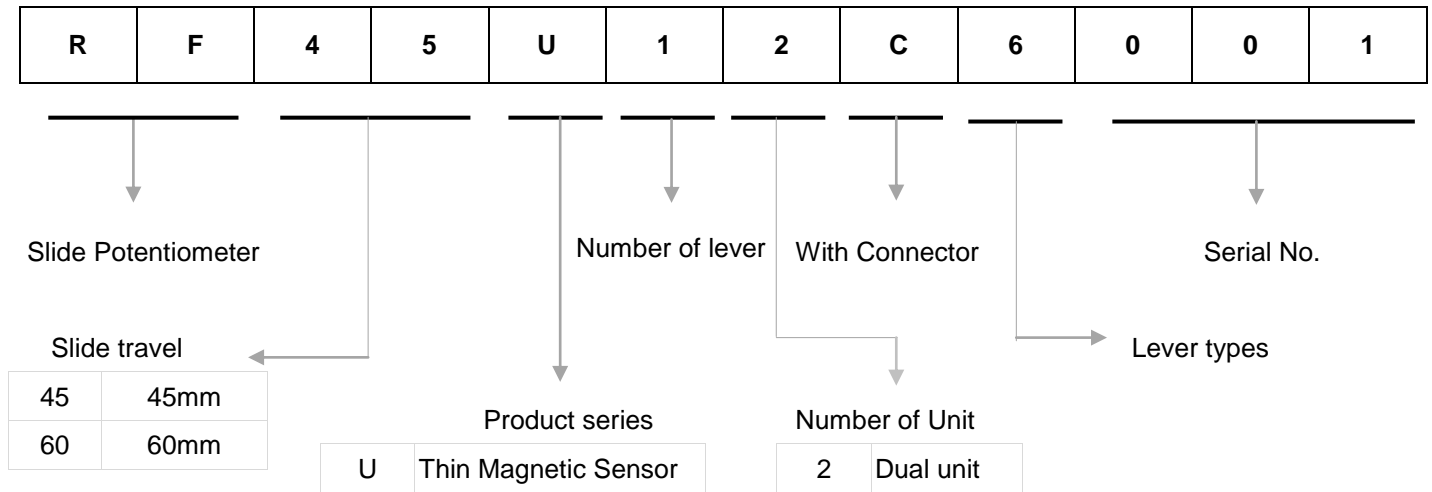
### ◆ FEATURE

- Non-contact magnetic structure
- Extremely light feeling slide
- Thin and dustproof body design .
- Long life : 5,000,000 cycles

### ◆ APPLICATIONS

- Fader for mixer, professional audio equipment.

### ◆ PRODUCTS NUMBERING SYSTEM



### ◆ COMMON SPECIFICATIONS

Characteristics	Specification
Operating temperature range	-10°C to +70°C
Input voltage	5V±3%
Output type	Voltage(absolute)
Output characteristic	X type (Refer from Position-Voltage plot below)
Output error	3%(MAX)
Stroke resolution	5 points/mm
Operating force	20 gf max
Sliding service life	5,000,000 cycles

### ◆ LEVER TYPES

Material	Metal lever	
Lever type	6	9
	t=1.2	t=1.2
Dimensions		
Length (L)	15	8.2

### DIMENSIONS

Unit : mm

Model	Dimensions
RF□□U	<p>                     V<sub>cc</sub> Input                      G Ground                      F Output-F                      R Output-R                 </p>

### P.C.B Mounting hole detail

Model	Dimensions		
	S	A (S+32.2)	B (S+20)
RF45U	45	77.2	65
RF60U	60	92.2	80