

ROTARY SENSORS

15mm Rotary Sensor



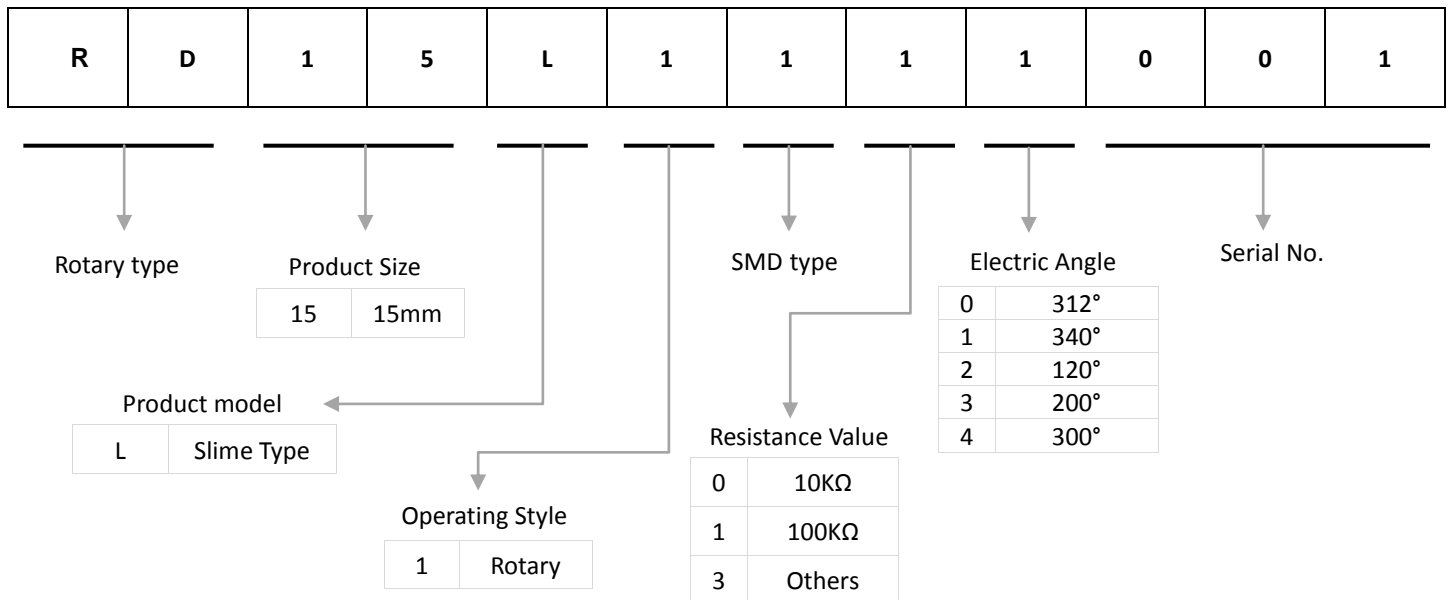
◆ Applications

- Automotive HVAC, Seat, Rear-view mirror actuator feedback sensor and HVAC Controls
- Timer & Function/ Programme and Select for washing machines, Dishwashers and all white Goods in general

◆ Feature

- Extend mechanical life
- SMD Reflow soldering capability
- Low profile, Linearity $\pm 3\%$ (standard)

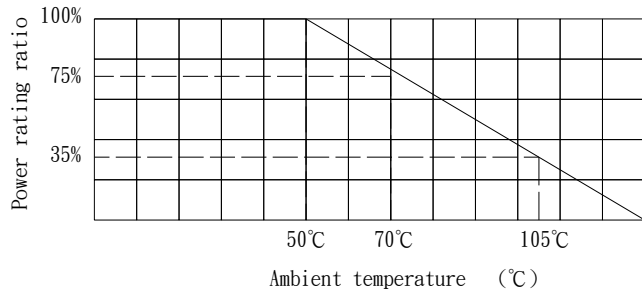
◆ PRODUCTS NUMBERING SYSTEM



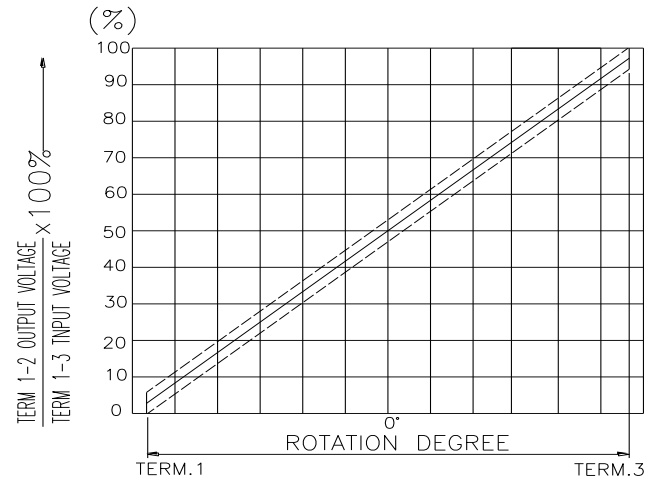
◆ COMMON SPECIFICATIONS

Characteristics	Specification
Total Resistance(Ω)	10K, 100K
Total Resistance Tolerance	$\pm 30\%$
Rated power (W)	0.15W @ 50°C
Linearity(absolute)	$\pm 3\%$
Taper	Linear
Mechanical Life(without load)	100,000 cycles
Operating temperature range(°C)	-40 ~ +85
Rotational Torque(gf-cm)	100 Max.
Max Voltage	DC 250V
Mechanical Angle	360° endless
Electrical Angle	340° $\pm 10^\circ$

◆ POWER RATING CURVE :



◆ REFERENCE CHARACTERISTIC CURVE

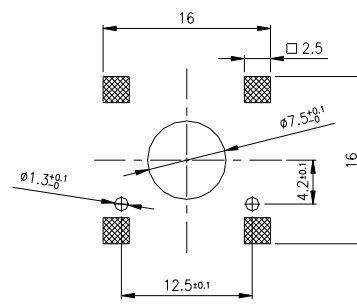
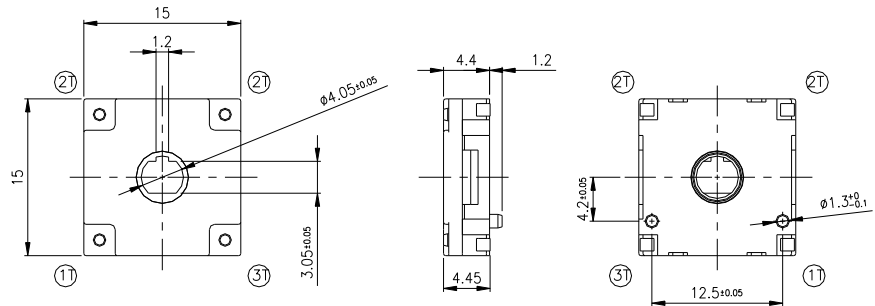


◆ DIMENSIONS

Unit : mm

RD15L111100N

SMD type



P.C.B TERMINAL POSITION

