

◆FEATURE

- Provides high-level operation feeling.
- Hollow-center allows combination with other components.

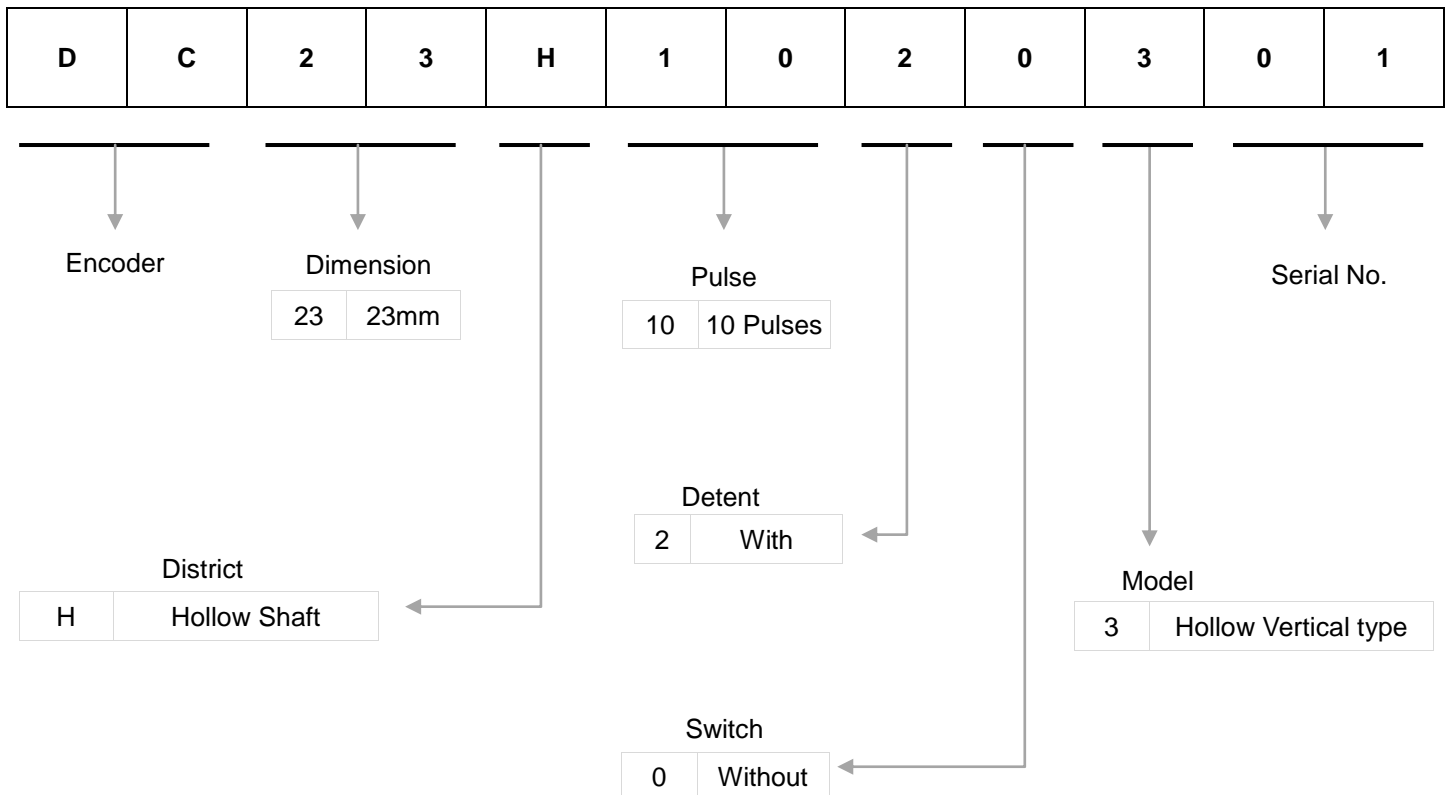
◆APPLICATIONS

- Electronic control panel in cars or navigation equipment, professional mixers, and various audio-visual devices.
- Air conditioners, electronic toys, microwave ovens, rice cookers, flat panel TV, remote controllers and various electronics.

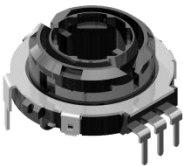
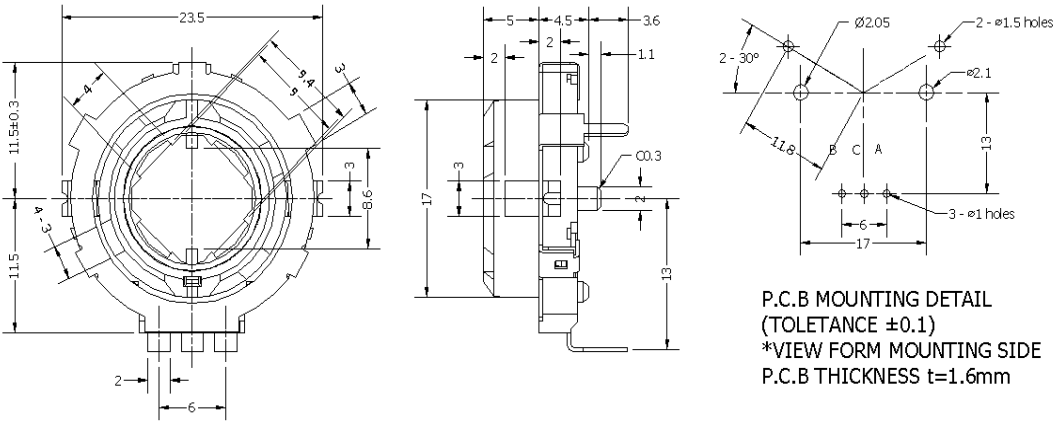
◆ COMMON SPECIFICATIONS

Pulse	Number of detent	Phase difference (msec)	Chattering (msec)	Sliding noise (msec)	Insulation resistance	Dielectric strength	Detent torque (gf · cm)	Rotational life (cycle)
10	20	13	8	3	100V DC 100MΩ MIN.	100V AC 1 min	40~100	50,000

◆ PRODUCT NUMBERING SYSTEM



DIMENSIONUnit : mm

Model	Dimensions
<p>DC23H10203</p> 	 <p>P.C.B MOUNTING DETAIL (TOLETANCE ± 0.1) *VIEW FORM MOUNTING SIDE P.C.B THICKNESS $t=1.6\text{mm}$</p>