



◆ FEATURE ◆ APPLICATIONS

- Provides high-level operation feeling.
- With push-on switch
- Compact and slim
- Long life and high reliability
- Most suitable for all controls of compact and low profile electronic equipment.
- Air conditioners, flat panel TV, remote controllers and various electronics.

◆ COMMON SPECIFICATIONS

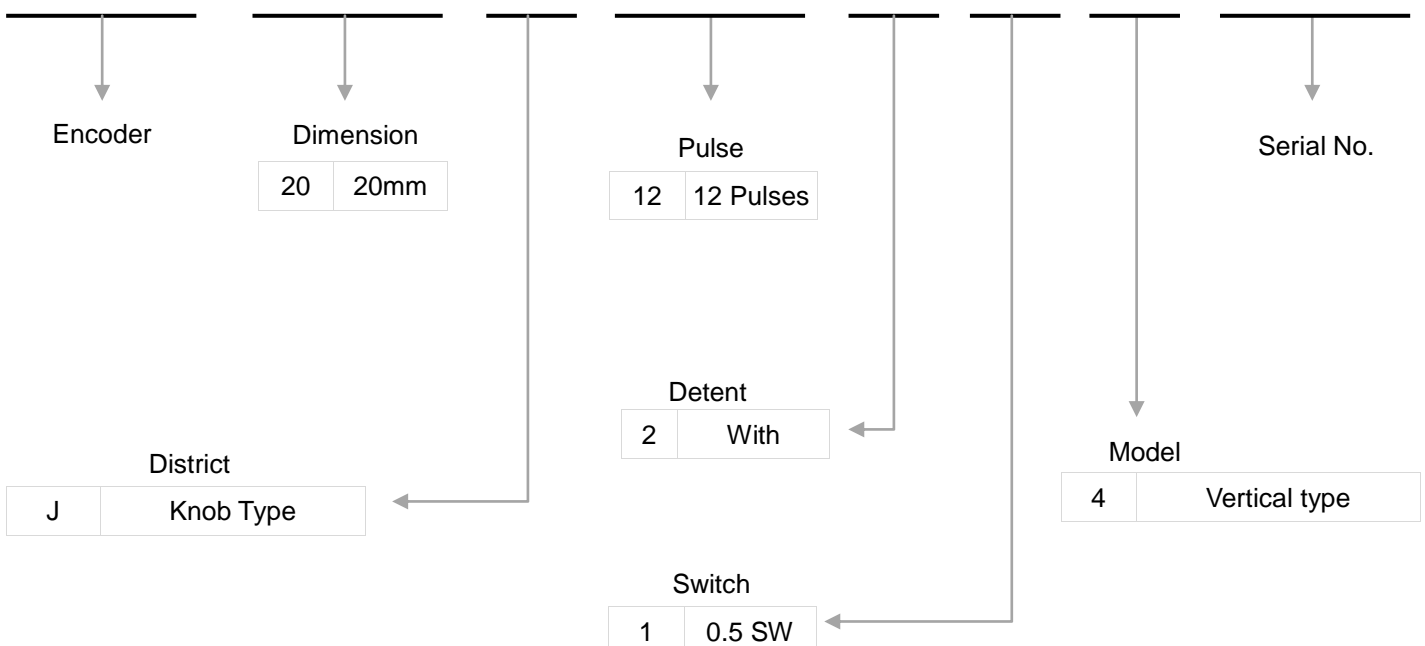
Pulse	Number of detent	Phase difference (msec)	Chattering (msec)	Sliding noise (msec)	Insulation resistance	Dielectric strength	Detent torque (gf · cm)	Rotational life (cycle)
12	24	4	5	3	100V DC 100MΩ MIN.	100V AC 1 min	60 Max	100,000

◆ SWITCH SPECIFICATIONS

Rating	Contact resistance	Insulation resistance	Dielectric strength	Contact arrangement	Travel of switch (mm)	Operating force (gf)	Operating life (cycle)
DC 5V 10 mA	300 mΩ	250V DC 100MΩ MIN	300V AC 1 min	PUSH ON	0.3	220±50	1,000,000

◆ PRODUCT NUMBERING SYSTEM

D	C	2	0	J	1	2	2	1	4	0	1
---	---	---	---	---	---	---	---	---	---	---	---



DIMENSION

Unit : mm

