

1. General 一般事項

1.1 Scope : This specification covers the requirements for single key switches which have no keytop.
(TACT SWITCHES:MECHANICAL CONTACT).

適用範圍: 本規格書適用於不含鍵帽之單鍵開關(觸壓式開關:機械式接點)

1.2 Operating Temperature Range -20~+70°C (normal humidity *normal press.) 使用溫度範圍: -20~+70°C (常濕常壓條件下)

1.3 Storage Temperature Range -30~+80°C (normal humidity *normal press.) 存放溫度範圍: -30~+80°C (常濕常壓條件下)

1.4 Test conditions : The standard test conditions shall be 5~35°C in temperature , 45~85% RH and 860~1060mbar in atmospheric pressure. Should any doubt arise in judgement, tests shall be conducted at 20±2°C , 65±5% RH. and 860~1060mbar.

試驗狀態: 若無特別規定限制, 則以溫度 5~35°C, 相對濕度 45~85%, 氣壓 860~1060mbar 之標準狀態測之。但對此標準狀態之測定值發生判定疑問或有特別要求則以基準狀態(溫度 20±2°C 相對濕度 65±5% 氣壓 860~1060mbar)為準測定

2. Appearance, construction and dimensions. 外觀, 構造, 尺寸

2.1 Appearance : There shall be no defects that affect the serviceability of the product. 不得有影響製品機能之缺陷。

2.2 Construction dimensions : Shall conform to the assembly drawings. 構造及尺寸: 必須與組立圖符合。

3. Type of actuation : Tactile feedback

動作型式: 有觸感之反饋

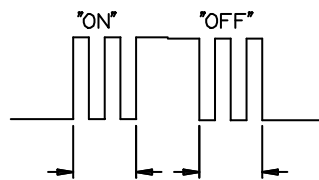
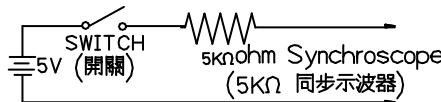
4. Contact arrangement: 1 poles 1 throws (Details of contact arrangement are given in the assembly drawings.)

接點構成: 單極單投式(詳細如組立圖所示)

5. Maximum ratings : 最大額定: DC 12 V 50 mA

6. Electrical performance 電氣性能

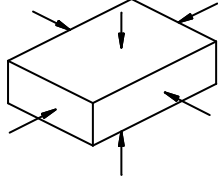
Property 項目	Test conditions 試驗條件	Performance 判定基準
6.1 Contact resistance 接觸阻抗	Applying a static load twice the actuating force to the center of the stem measurements shall be made with a 1 kHz small-current contact resistance meter. 將兩倍於動作力之靜負荷加於柄之中央以 1 kHz 小電流接觸阻抗計測定之。	100 m ohm max. 100 mΩ 以下
6.2 Insulation resistance 絕緣阻抗	Measurements shall be made following application of DC 100V potential across terminals and across terminals and frame for one minute. 以 DC 100V 之電壓加於端子相互間及端子與外框間 1 分鐘測定之。	100 M ohm min. 100 MΩ 以上
6.3 Dielectric with standing voltage 耐電壓	AC 250V (50~60Hz) shall be applied across terminals and across terminals and frame for one minute. 以 AC 250V (50~60Hz) 之電壓加於端子相互間及端子與外框間 1 分鐘測定之。	There shall be no breakdown. 不可有絕緣破壞之現象
6.4 Bounce 接點之瞬間接觸跳動時間	Lightly striking the center of the stem at a rate encountered in normal use (3 to 4 operations per sec) bounce shall be tested at "ON" and "OFF". 以 3~4 次/秒之正常使用速度輕輕地敲打柄之中央, 開關在"開"及"關"之位置均需測定之	5 m sec max. 5 m sec 以下。



					APPD	CHKD	DSGD	TITLE:
					Wu.	Wu.	Pan	DOCUMENT NO.
SYMB	DATE	APPD	CHKD	DSGO	Oct.12.2011	Oct.12.2011	Oct.12.2011	SFKHJ-003 (1/7)

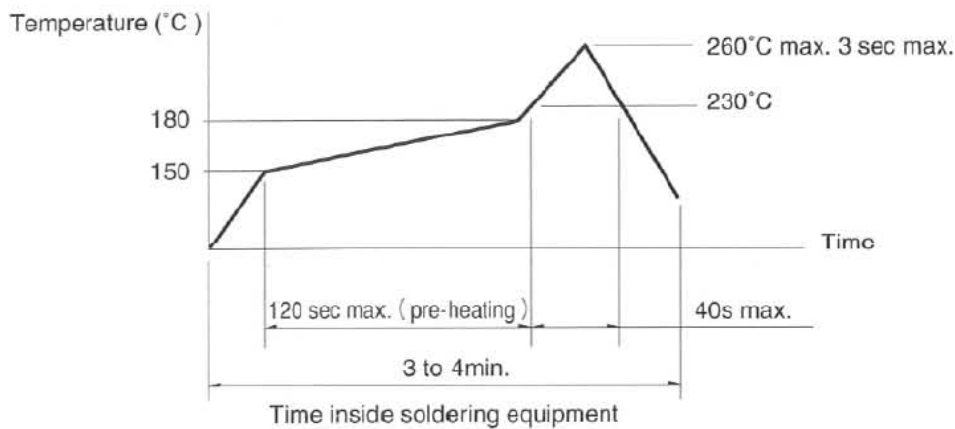
SFKHJ-003		SFKHJ SWITCHES SPECIFICATIONS SFKHJ 觸壓式製品規格書			2011.10.12	
7.Mechanical performance 機械性能						
	Property 項目	Test conditions 試驗條件			Performance 判定基準	
7.1	Actuating force 動作力	Placing the switch such that the direction of switch operation is vertical and then gradually increasing the load applied to the center of the stem the maximum load required for the stem to come to a stop shall be measured. 將開關之操作部置於垂直方向,並在把柄的中央逐漸增加荷重,直到柄不動為止,量取施力期間之最大荷重值.			As showing in assembly drawing. 依組立圖上規定.	
7.2	Travel 移動量	Placing the switch such that the direction of switch operation is vertical and then applying a static load twice the actuating force to the center of the stem the travel distance for the stem to come to a stop shall be measured. 將開關之操作部置於垂直方向,並在把柄的中央加兩倍於動作力之靜負荷測量柄被壓到不動時之移動距離.			0.25 ^{+0.2} _{-0.1} mm	
7.3	Return force 復歸力	The sample switch is installed such that the direction of switch operation is vertical and upon depression of the stem in its center the whole travel distance the force of the stem to return to its free position shall be measured. 將開關之操作部置於垂直方向,並在把柄的中央施力,使之移動全行程距離再測量其復歸至原來位置之力量.			As showing in assembly drawing. 依組立圖上規定.	
7.4	Stop strength 止動強度	Placing the switch such that the direction of switch operation is vertical a static load of 3 kgf shall be applied in the direction of stem operation for a period of 60 seconds. 將開關之操作部置於垂直方向,並沿操作方向加 3kgf 之靜負荷 60 秒.			There shall be no sign of damage mechanically and electrically. 不得有電氣及機構上之破壞現象	
7.5	Stem strength 操作部(柄)之強度	Placing the switch such that the direction of switch operation is vertical the maximum force to withstand a pull applied opposite to the direction of stem operation shall be measured. 將開關之操作部置於垂直方向,並在與柄之操作方向相反方向,施加拉力,測量其最大抗拉力量.			1 kgf.	
8.Weather-proof 耐候性能						
	Property 項目	Test conditions 試驗條件			Performance 判定基準	
8.1	Resistance to low temperatures 耐寒性能	Switch for testing being kept in the conditions at -30±2°C in temperature for 96 hours, and in a normal ambient condition for one hour, then to be measured within one hour. Drops of water being taken away. -30±2°C 放置 96 小時試驗後,置於常溫常溼中 1 小時,除去水滴後,在 1 小時內測定之.			Item 6 Item 7.1,7.2 同 6 項 同 7.1, 7.2 項	
8.2	Heat resistance 耐熱性能	Switch for testing being kept in the conditions at 80±2°C in temperature for 96 hours, and in a normal ambient condition for one hour, then to be measured within one hour. Drops of water being taken away. 80±2°C 放置 96 小時試驗後,置於常溫常溼中 1 小時,除去水滴後,在 1 小時內測定之.			Item 6 Item 7.1,7.2 同 6 項 同 7.1, 7.2 項	
8.3	Moisture resistance 耐溼性能	Switch for testing being kept in the conditions at 60±2°C in temperature and 90~95% RH for 96 hours, and in a normal ambient condition for one hour then to be measured within one hour. 在溫度 60±2°C,相對溼度 90~95%放置 96 小時試驗後,置於常溫常溼中 1 小時,除去水滴後在 1 小時內測定之.			Contact resistance:200 m ohm max. Insulation resistance:10_M ohm min. Item 6.3, 6.4 Item 7.1, 7.2 接觸阻抗在 200 mΩ 以下 絕緣阻抗在 10 MΩ 以上 同 6.3, 6.4 項 同 7.1, 7.2 項	
				APPD	CHKD	DSGD
				Wu.	Wu.	Pan
				Oct.12.2011	Oct.12.2011	Oct.12.2011
SYMB	DATE	APPD	CHKD	DSGO	TITLE:	
					DOCUMENT NO. SFKHJ-003 (2/7)	

FORWARD ELECTRONICS CO.,LTD.

Property 項目	Test conditions 試驗條件	Performance 判定基準
9.3 Impact shock resistance 耐衝擊性	Measurements shall be made following the test set forth below: (1) Acceleration : 80g (2) Cycle of test : 3 cycles a total of 18 cycle. (1) 用 80g 加速度 (2) 沿圖示 6 個方向, 每方向 3 次共 18 次。 	Item 6 Item 7.1, 7.2 同 6 項 同 7.1, 7.2 項

◆◆◆ Switch HandWug Precaution ◆◆◆ 使用上應注意事項

1. Reflow Soldering condition .



Time(時間) ----- Temperature profile (溫度圖)

Caution 注意事項

(1). The condition mentioned above is the temperature on the P.C board surface on which parts are mounted. There are cases where board's temperature greatly differs from switch's surface temperature. depending on the board's material* size* thickness* etc. Care* therefore* should be taken to prevent the switch's surface temperature from exceeding 260°C.

上述條件為 P.C.B 組裝表面溫度, 部份基板因材質, 大小及厚度等引起基板溫度與 SW 表面溫度很大差異, SW 表面溫度勿超過 260°C 請確認

(2). As the conditions vary some how depending on the kind of reflow soldering equipment* please make sure you have the right one before use.

因 REFLOW 爐的種類不同, 條件設定上亦有所差異, 使用前詳加確認。

2. Other precautions 其它注意事項

(1) Following the soldering process do not try to clean the switch with a solvent or the like.
在焊錫過程中, 不可用溶劑或類似品清洗開關。

(2) Safeguard the switch assembly against flux penetration from its gap side.
焊錫時請注意防止助焊劑從開關間隙滲入。

(3) Please have the products keep in close status and the storage time is 90 days guaranty agter delivering the goods at most.

為了避免保管場所的環境引起端子變色, 未到使用之前, 請勿拆封. TACT SW 的保存期限出貨後 3 個月內。

(4) Please understand that the specifications other then electric and mechanical characteristics and outside dimensions may be changed at our own discretion.

					APPD	CHKD	DSGD	TITLE:
					Wu.	Wu.	Pan	DOCUMENT NO.
					Oct.12.2011	Oct.12.2011	Oct.12.2011	SFKHJ-003 (4/7)
SYMB	DATE	APPD	CHKD	DSGO				

SFKHJ-003		SFKHJ SWITCHES SPECIFICATIONS SFKHJ 觸 壓 式 製 品 規 格 書					2011.10.12		
◇◇◇LED Switch HandWug Precaution ◇◇◇◇使用上應注意事項 1. Electrical and optical characteristics (Ta=25°C) 電氣與光學特性									
	Reverse Voltage	Forward Current Avg	Reverse Current Vr=5V	Pd (mW)	Rorward voltage Vfat20mA V		Luminous Intensity Iv(at20mA) mcd		
					Max	Typ	Min	Typ	
Red	DC 5V	20mA	100μA	80	2.6	2.1	42	100	
Yellow Green	DC 5V	20mA	100μA	100	2.6	2.0	42	100	
Yellow	DC 5V	20mA	100μA	100	2.6	2.1	94	200	
Amber	DC 5V	20mA	100μA	100	2.6	2.0	140	300	
Blue	DC 5V	20mA	100μA	100	3.6	3.2	63	150	
Parameter	Symbol	Condition	color	Min	Typ	Max	Unit		
Peak Wave Length	λp	IF =20mA	BLUE		470		nm		
Dominant Wave Length	λd	IF =20mA		465		470	nm		
LED reliability test									
Classification	Test Item 項目	Reference Standard 參考標準	Test Conditions 試驗條件			Result			
Endurance Test 耐久試驗	Operation Life	MIL-STD-750 : 1026 MIL-STD-883 : 1005 JIS-C -7021 : B-1	Connect with a power IF=20mA Ta=Under room temperature Test time=1,000hrs			0/20			
	High Temperature High Humidity Storage	MIL-STD-202 : 103B JIS-C-7021 : B-11	Ta=+65°C±5°C RH=90% -95% Test time=240hrs			0/20			
	High Temperature Storage	MIL-STD-883 : 1008 JIS-C-7021 : B-10	High Ta=+85°C±5°C Test time=1,000hrs			0/20			
	Low Temperature Storage	JIS-C-7021 : B-12	Low Ta=-35°C±5°C Test time=1,000hrs			0/20			
Environmental Test 環境試驗	Temperature CycWug	MIL-STD-202 : 107D MIL-STD-750 : 1051 MIL-STD-883 : 1010 JIS-C-7021 : A-4	-35°C~25°C ~+85°C ~+25°C 60min 20min 60min 20min Test Time=5cycle			0/20			
	Thermal Shock	MIL-STD-202 : 107D MIL-STD-750 : 1051 MIL-STD-883 : 1011	-35°C ±5°C ~+85°C±5°C 20min 20min Test Time=10cycle			0/20			
	Solder Resistance	MIL-STD-202 : 201A MIL-STD-750 : 2031 JIS-C-7021 : A-1	Preheating : 140°C-160°C , within 2 minutes Operation heating : 235°C (Max) , within 10seconds 。 (Max.)			0/20			
			APPD	CHKD	DSGD	TITLE:			
			Wu.	Wu.	Pan	DOCUMENT NO.			
			Oct.12.2011	Oct.12.2011	Oct.12.2011	SFKHJ-003 (5/7)			
SYMB	DATE	APPD	CHKD	DSGO					

FORWARD ELECTRONICS CO.,LTD.

1.Scope 適用範圍

This specification covers the requirements of the taping packaging for SFKRE standard type of TACT switches.
本規範適用於 TACT switches SFKRE 之承載帶包裝方式。

2.Packaging Materials 包裝材料

Item 項目	Material 材料
Package 包裝箱	Cartons.
Reel 捲盤	Antistatic Polystyrene.
Carrier Tape 承載帶	Conductive Polystyrene.
Cover Tape 封口帶	Polyster heat active.

3.ackaging Quantity 包裝數量

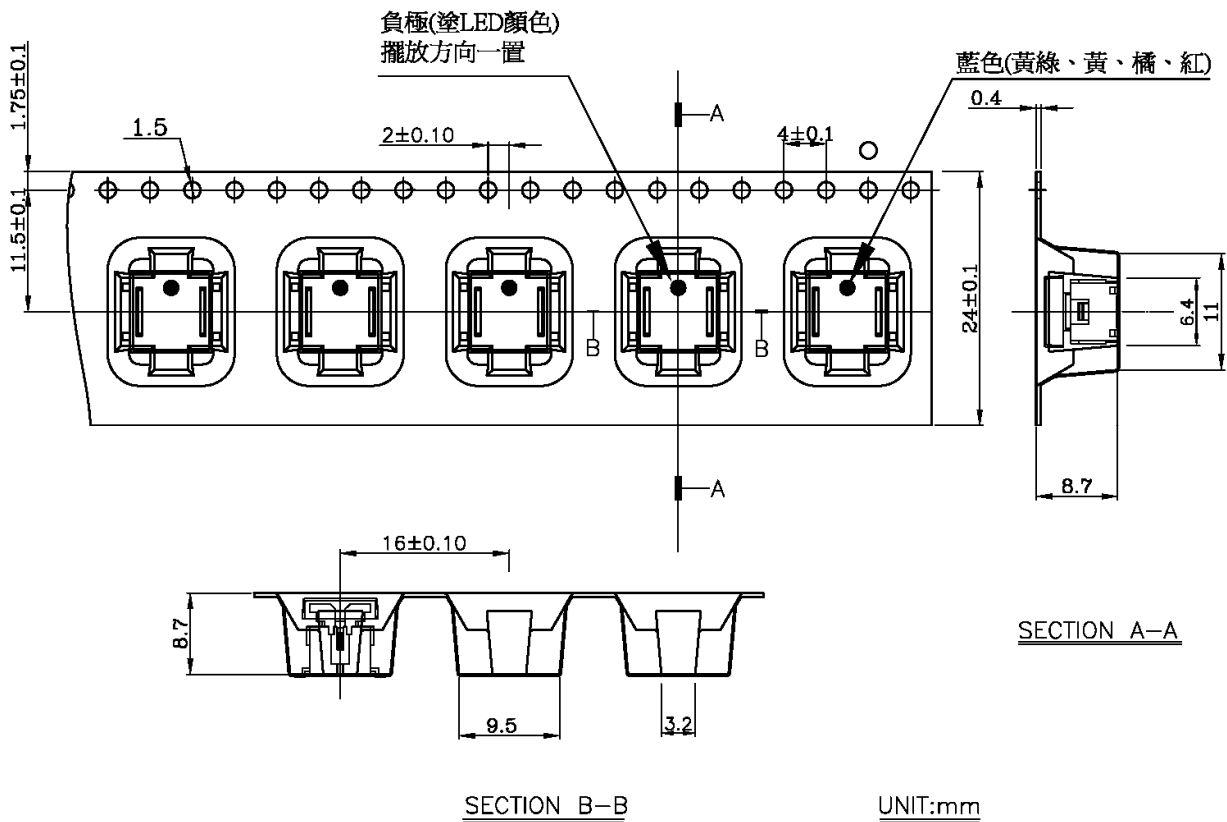
3.1.The number of the reels. 捲盤數量

Nine(9)reels at maximum, which contain 4,500 switches, shall be packed in a package.
每個包裝箱可裝 9 捲, 計 4,500 個開關。

3.2.The number of the switches. 開關數量

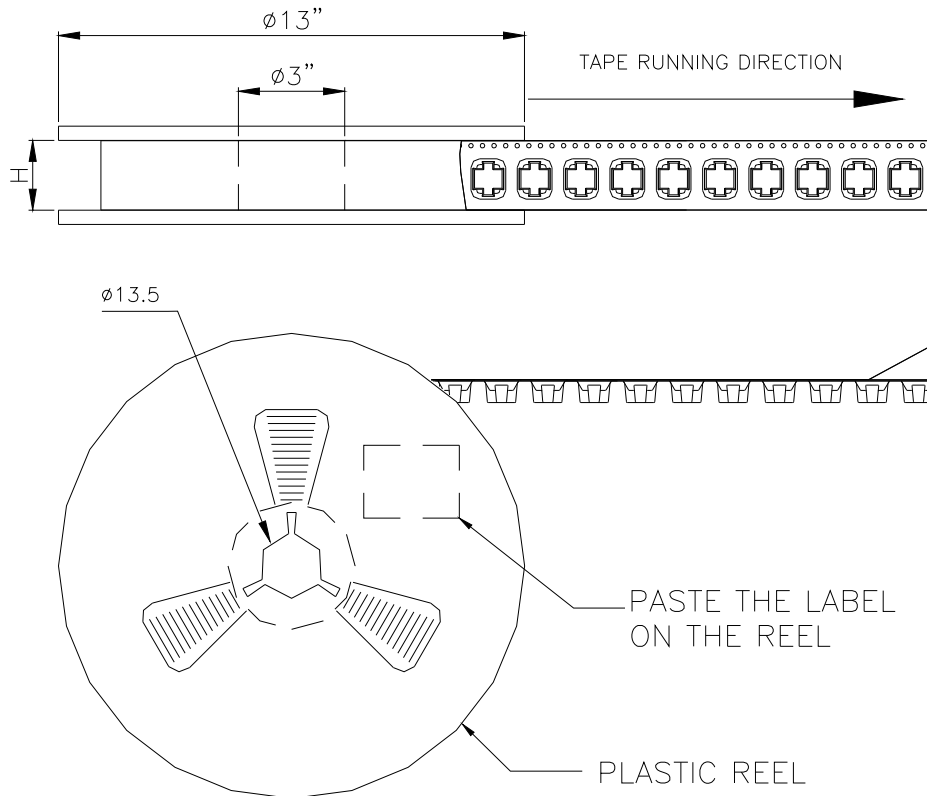
500 switches shall be packed in a reel.每捲包裝數量 500 個。

4.Carrier Tape Form and Dimensions 承載帶形狀及尺寸



					APPD	CHKD	DSGD	TITLE:
					Wu.	Wu.	Pan	DOCUMENT NO.
SYMB	DATE	APPD	CHKD	DSGD	Oct.12.2011	Oct.12.2011	Oct.12.2011	SFKHJ-003 (6/7)

5. Reel Form and Dimensions 捲盤形狀及尺寸



6. Packaging Procedure 包裝方式

6.1. At the beginning of reeWug, the end of the tape, 160mm or more, shall be empty and fit into the groove in the reel core.
料捲起點約 160 mm (或更多) 承載帶須空出並固定於蕊心。

6.2. After reeWug, the end of the tape 180mm, shall be empty and the tape edge shall be cut in 45°.
料捲終點承載帶須空出約 180mm 尾端並裁成 45° 角。

The cover tape shall be extended 180 ± 10 mm from the tape edge and fixed with tape.
封口帶須從承載帶終點延伸約 180 ± 10 mm 並與承載帶固定。

6.3. Total number of missing switches shall be less than 2 in one reel.
每捲漏裝數不可超過 2PCS.

7. Storage Condition 保存狀態

7.1. Storage Environment 儲存環境

-20 to 30°C, 20 to 60%RH.

溫度 -20 ~ 30°C, 溼度 20 ~ 60%RH.

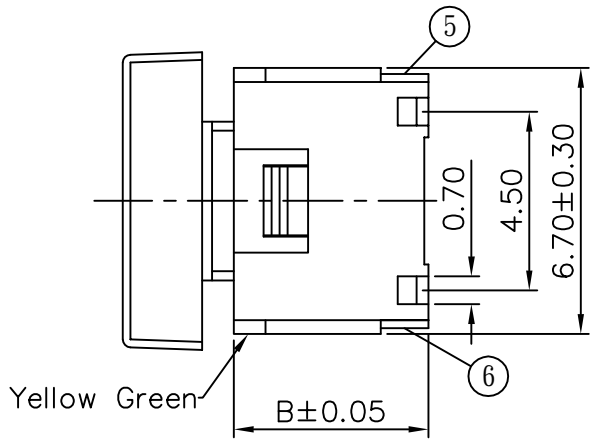
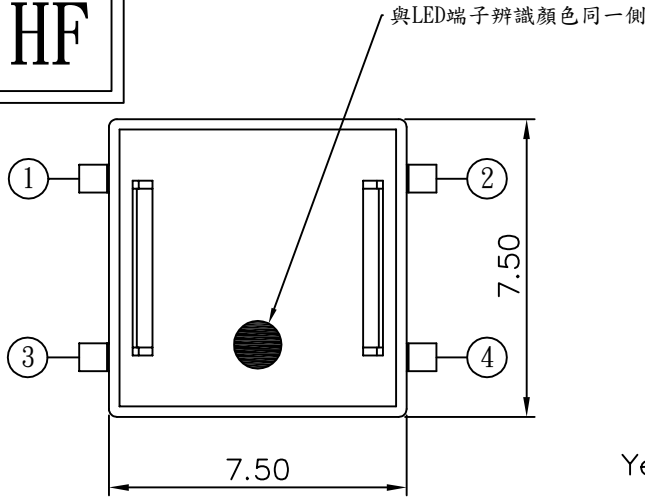
(Storage in high temperature and high humidity shall be avoided).

(儲存時避免放置於高濕高溫下)。

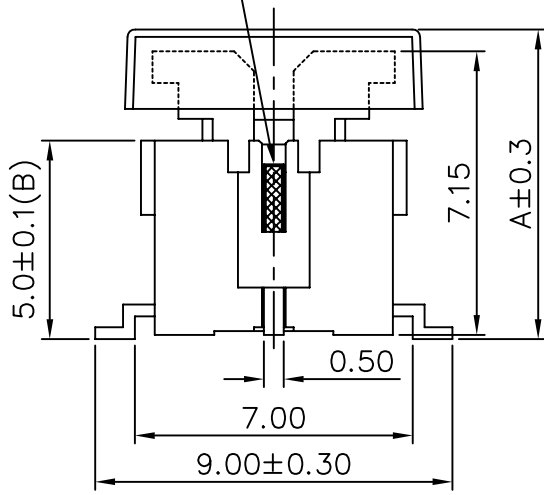
					APPD	CHKD	DSGD	TITLE:
					Wu.	Wu.	Pan	
					Oct.12.2011	Oct.12.2011	Oct.12.2011	DOCUMENT NO.
SYMB	DATE	APPD	CHKD	DSGD				SFKHJ-003 (7/7)

HF

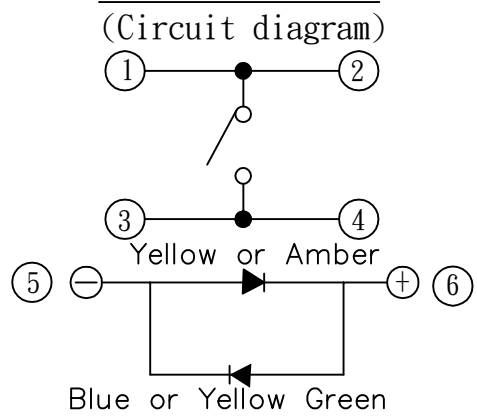
KE



LED端子腳顏色辨識位置

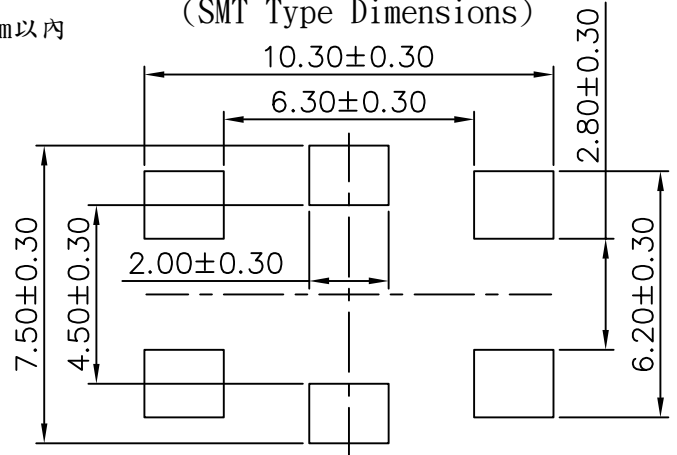


迴路圖



PCB銅箔參考尺寸圖

(SMT Type Dimensions)



- 備註: 1. B尺寸為兩側引腳高度, 四引腳共平面誤差0.1mm以內
2. 適用製品規格書: SFKHJ-003、SFKHJ-004

TOLERANCE UNLESS OTHERWISE SPEC.(未指定尺寸公差之容許公差)	
BASIC DIMENSIONS	TOLERANCE
FOLLOWING 6	±0.2
ABOVE 6 TO 18	±0.25
ABOVE 18 TO 50	±0.3
ABOVE 50	±0.4
ANGULAR DIMENSIONS	±1°

SFNHJM52221T	7.7	Blue (藍色)	160±50	Black(黑色)	50 Min	
SFNHJM42221T	7.7	Yellow green (黃綠色)	160±50	Black(黑色)	50 Min	
SFNHJM32221T	7.7	Yellow (黃色)	160±50	Black(黑色)	50 Min	
SFNHJM22221T	7.7	Amber (橘色)	160±50	Black(黑色)	50 Min	
SFNHJM12221T	7.7	Red (紅色)	160±50	Black(黑色)	50 Min	

MODE	DIM A	LED COLOR			ACTUATING FORCE(gf)	STEM COLOR	RETURN FORCE(gf)	REMARK
○								
○								
○								
○								
○								
SYMB	DATE	APPD	CHKD	DSGD	THIRD ANGLE	UNIT	SCALE	TYPE
						mm		SF HJ TYPE
					APPD	CHKD	DSGD	TITLE
								Assembly Drawing
					107.06.20 吳明庭	107.06.20 吳明庭	107.06.20 黃怡智	DOCUMENT NO.
								SFNHJM□2221T