



◆ FEATURE

- Provides high-level operation feeling.
- Multi-detent is available.
- Available for reflow soldering.

◆ APPLICATIONS

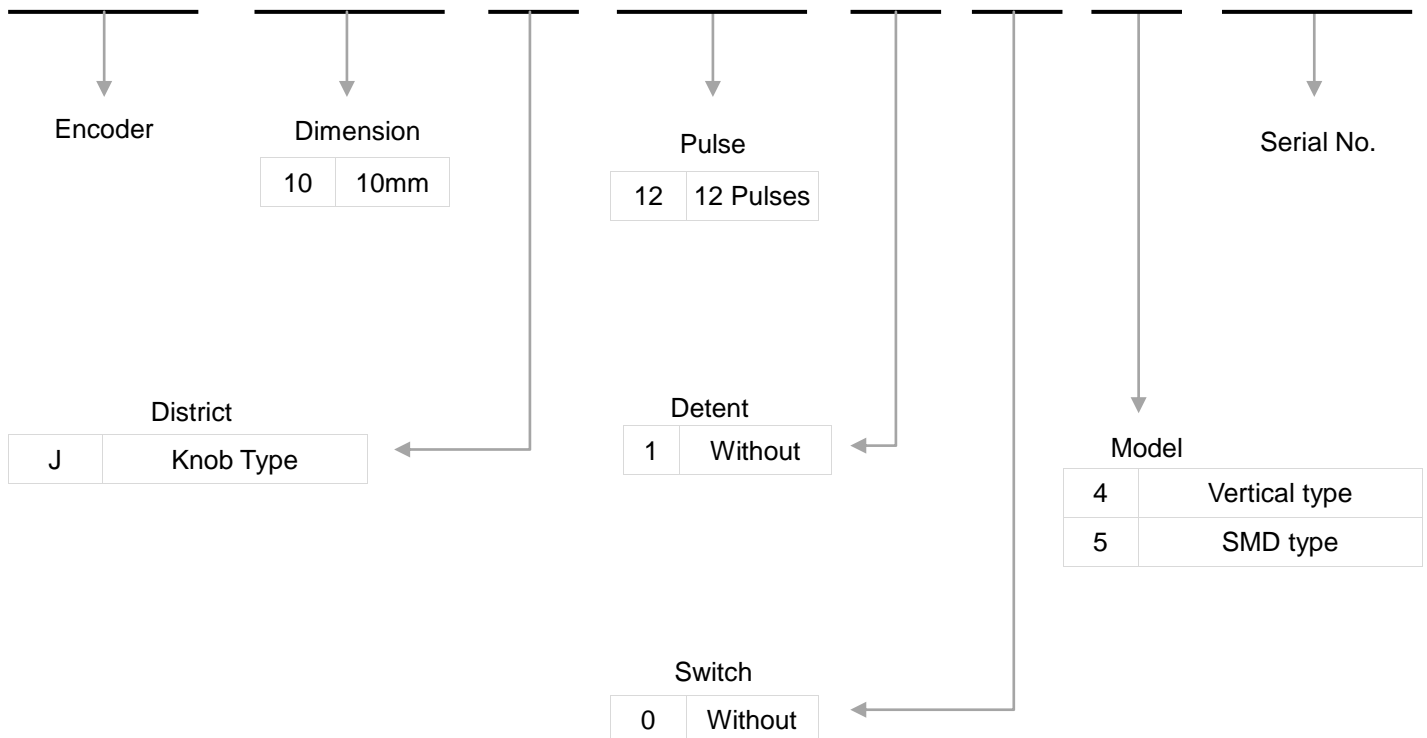
- Most suitable for the manual focus of compact camera recorder and iris adjustment.
- Most suitable for all controls of compact and low profile electronic equipment.

◆ COMMON SPECIFICATION

Pulse	Number of detent	Phase difference (msec)	Chattering (msec)	Sliding noise (msec)	Insulation resistance	Dielectric strength	Rotational torque (gf · cm)	Rotational life (cycle)
12	0	4	8	8	50V DC 50MΩ MIN.	50V AC 1 min	60 MAX	10,000


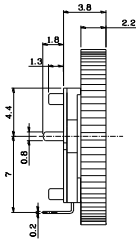
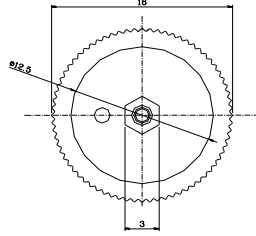
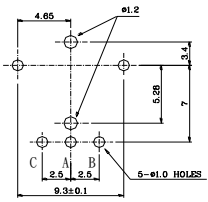
◆ PRODUCT NUMBERING SYSTEM

D	C	1	0	J	1	2	1	0	4	0	1
---	---	---	---	---	---	---	---	---	---	---	---



DIMENSION

Unit : mm

Model	Dimensions		
<p>DC10J12104 DIP type</p> 			
<p>DC10J12105 SMD type</p> 